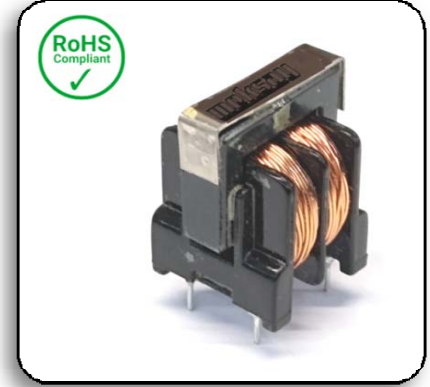


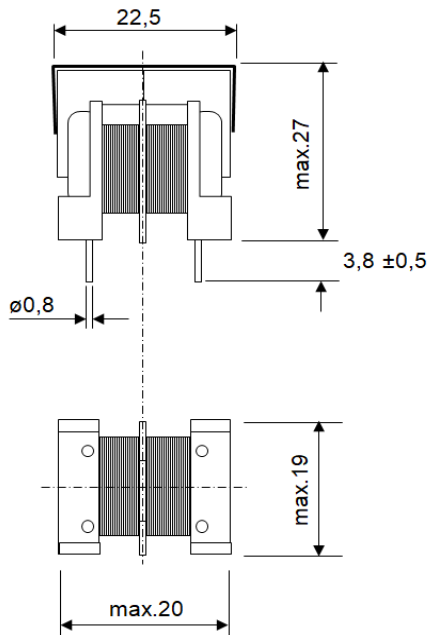
Type : **UU160-V33-2SM1**

- ✦ Low DC resistance
- ✦ High current tolerance and stable performance
- ✦ High reliability and easy surface mount assembly
- ✦ Dielectric Strength >1500Vac (between windings)
- ✦ UL94-V0 Recognized Materials
- ✦ Operating Temperature -10°C to +60°C
- ✦ RoHS Compliant Product
- ✦ Custom Design Available

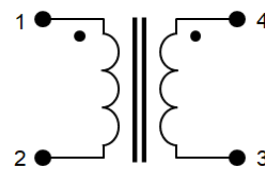
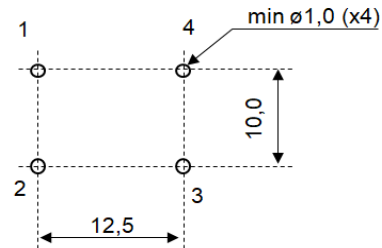


Item Code	Inductance (min - max.)	Rated Current	Resistance (Ohm - max.)
UU160-V33-2SM001	1,0 - 1,9 mH	3,0 A	0,05
UU160-V33-2SM002	2,0 - 3,9 mH	2,0 A	0,10
UU160-V33-2SM005	4,0 - 9,0 mH	1,5 A	0,25
UU160-V33-2SM010	10 - 18 mH	1,0 A	0,50
UU160-V33-2SM020	20 - 39 mH	0,8 A	0,75
UU160-V33-2SM040	40 - 65mH	0,30 A	1,00

Dimensions [mm]



Circuit diagram

Pin configuration
(Bottom view)

The parameters of the product are given as an example. Data are subject to change without prior notice.

Revised : 20-Jan-2022